

# Wastewater

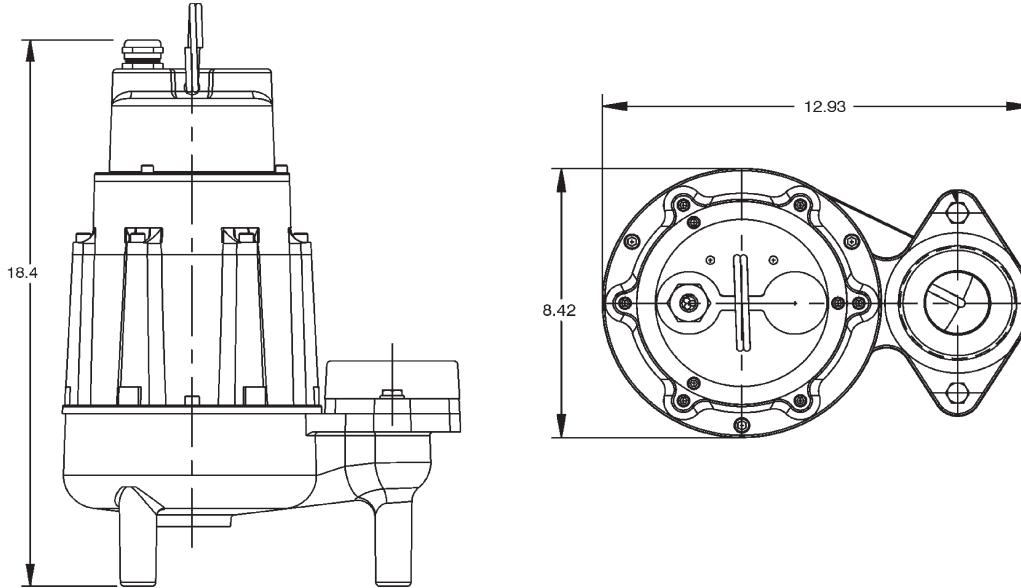
## 20S Series



### Features

- Handles liquids and solid waste materials up to 2" diameter
- Cast iron pump housing with protective epoxy coating for corrosion resistance
- Oil-filled motor housing for lifetime lubrication and rapid heat dissipation
- Stainless steel screws, bolts and seal assembly
- Mechanical seal (stainless steel spring, nitrile parts, carbon and ceramic faces) for long life and reliability
- 2 HP ball bearing motor
- Exclusion seal
- Thermal overload protection on single phase units
- Capacitor and power cord isolated from oil-filled motor housing for ease of field maintenance
- Brass impeller

## Engineering Data



## Specifications

Model No.	Item No.	Listing(s)	Disch. Size (dia. in.)	HP	Volts	Hz.	Ph.	Amps	Motor RPM	Performance (GPM@Head)						Shutoff		Cord Length (ft.)	Weight (lbs.)	Dimensions H x L x W (in.)
										10'	20'	30'	40'	50'	60'	Ft.	P.S.I.			
20S-CIM	520100	UL/CSA	3" FNPT	2	208/230	60	1	18.0	2900	205	168	140	120	110	65	77	33.3	20	96	19.1 x 13.0 x 8.42
20S-CIM	520125	UL/CSA	3" FNPT	2	200-208	60	3*	14.5	3100	205	168	140	120	110	65	77	33.3	20	96	19.1 x 13.0 x 8.42
20S-CIM	520150	UL/CSA	3" FNPT	2	230	60	3*	12.6	3100	205	168	140	120	110	65	77	33.3	20	96	19.1 x 13.0 x 8.42
20S-CIM	520175	UL/CSA	3" FNPT	2	460	60	3*	6.1	3200	205	168	140	120	110	65	77	33.3	20	96	19.1 x 13.0 x 8.42

Continuous Duty Rated — "Little Giant Wastewater pumps are rated continuous duty as long as they are run within the published ratings for these pumps."

\*3 phase pumps require control panel

## Construction

Cover	Epoxy-coated cast iron
Motor Housing	Epoxy-coated cast iron
Impeller Material	Red brass
Impeller Type	Non-clog
Volute	Epoxy-coated cast iron
Power Cord	14/3, SOW
Mechanical Shaft Seal	Carbon/Ceramic
Fasteners	Stainless steel
Shaft	Stainless steel
Bearings	Upper and lower ball bearings

## Performance Data

